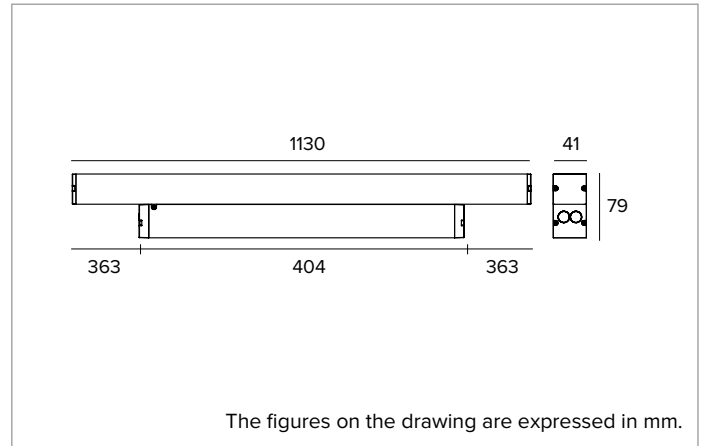


## 1T6788EL | JEDI COMPACT Indoor

### Adjustable linear LED projector



		3000K	H(m)	D1(m)	D2(m)	E <sub>max</sub> (lx)
		Ra90	15°	76°		
Fixture Power	53W	1	0.26	1.55	9605	
Source Flux	6000lm	2	0.51	3.10	2401	
Fixture Flux	5168lm	3	0.77	4.65	1067	
Efficacy	98lm/W	4	1.02	6.21	600	
TS1081	I <sub>max</sub> =1601cd/klm	I <sub>max</sub>	9605cd	5	1.28	7.76 384



#### SOURCE

High Power Ra90 linear LED board.

**Energy efficiency class:** E

**Nominal power:** 48W

**Nominal flux:** 6000lm

**Colour rendering index:** 90

**Rf:** 91.4

**Rg:** 100.8

**CCT nominal:** 3000K

**SDCM:** 3

**Lifetime (L80/B10):** >50000h tq +25°C

#### ILLUMINOTECHNICAL CHARACTERISTICS

Internal optical system composed of a primary cylindrical glass lens, a high reflectance anodised aluminium reflector and an integrated holographic filter. Grazing light version.

**Optic:** HYBRID

**Beam angles:** GRZ

**Optical efficiency:** 86%

**Fixture flux:** 5168lm

**Luminous efficacy:** 98lm/W

**Photobiological safety:** Compliant with RG1 low risk group

#### MECHANICAL CHARACTERISTICS

Extruded anodised aluminium 15µ body. 1.8mm thick polycarbonate removable (to insert accessories) flat screen. Removable driver box. The body of the fixture is adjustable and can be installed away from the mounting surface using accessory brackets.

**Colour and finish:** Aluminium

**Dimensions:** L=1130mm

**Weight:** 2.05Kg

**Version:** INTEGRATED-REMOVABLE DRIVER

**Degree of protection:** IP40

#### ELECTRICAL CHARACTERISTICS

Integrated/detachable driver. Complete with electronic ON-OFF power supply, pre-cabled with a 1 metre 3x0.75mm<sup>2</sup> cable. The driver can be removed and placed in another position while remaining connected (cable 0.5m). Luminaire compliant with EN 60598-2-22 for power supply from a centralised emergency system CPSS (Central Power Supply System), not incorporated in the luminaire - high risk areas excluded. The default power and flux are 100% in AC and 100% in DC.

**Fixture Power:** 53W

**Power supply:** 220-240Vac 50/60Hz

**Insulation Class:** CLASS 1

**Type of driver / Control:** ON-OFF

**Driver included:** YES

**Class F:** YES

**SAFE FLICKER:** PstLM=<1 and SVM=<0.4 (IEC TR 61547-1 and IEC TR 63158), to ensure a more comfortable and safe light

**Ambient temperature:** 0°C / +25°C

#### INSTALLATION

To be completed with stainless steel fixed or adjustable brackets.

#### NOTES

Anti-glare grid available for all versions.

#### WARRANTY

5 years.

#### WARNING

Luminaire designed for disposal/recycling at end-of-life. Replaceable (LED only) light source by a professional. Replaceable control gear by a professional.

Due to the technological evolution of the electronic components, the data provided may be updated, and as such, confirmation must be requested during the order process.

Luminous flux and power supply have +/-10% tolerances with respect to the indicated value. tq +25°C (CIE 121).

We reserve the right to make technical changes.

Targetti Sankey S.r.l.  
Via Pratese, 164  
50145 Firenze - Italy  
Tel: +39 055 37911  
targetti.com  
targetti@targetti.com

CCIAA Firenze  
Share Capital:  
€ 500.000,00  
VAT N. (IT):  
01537660480  
R.E.A.: FI-275656

**TARGETTI**

## 1T6788EL | JEDI COMPACT Indoor Adjustable linear LED projector

### Related codes

#### Bracket

Code
<b>1T6940</b>

Long bracket kit for surface installation (2 pieces).  
Rotation +/-145°.

H mm	Code
52	<b>1T6800</b>

Medium bracket kit for surface installation (2 pieces).  
Integrated driver version.  
Rotation +/-90°.

### Accessories

#### Grid

L mm	Code
278	<b>1T6795</b>

Symmetrical anti-glare grid.  
Installation inside the product.  
For Spot, Flood and Grazing versions.  
To be ordered in the following quantities for every fixture length: 1 for the 289mm version, 2 for the 570mm version, 3 for the 850mm version and 4 for the 1130mm version.

#### Bracket

Code
<b>1T6806</b>

Bracket kit for surface installation of the driver box (2 pieces).  
Snap brackets.

Due to the technological evolution of the electronic components, the data provided may be updated, and as such, confirmation must be requested during the order process.  
Luminous flux and power supply have +/-10% tolerances with respect to the indicated value. tq +25°C (CIE 121).

We reserve the right to make technical changes.

Targetti Sankey S.r.l.  
Via Pratese, 164  
50145 Firenze - Italy  
Tel: +39 055 37911  
targetti.com  
targetti@targetti.com

CCIAA Firenze  
Share Capital:  
€ 500.000,00  
VAT N. (IT):  
01537660480  
R.E.A.: FI-275656

**TARGETTI**